

# BP-LF540 Datasheet

## LOW-FLOW BACK PRESSURE REGULATOR



Gas  
  Liquid  
 |  
  Diaphragm  
  Piston  
 |  
 Max Rating: 414 bar (6,000 psi)  
 |  
 Max Inlet Control: 414 bar (6,000 psi)  
 |  
 Cv 0.1



### INTRODUCING THE BP-LF540...

The BP-LF540 is a compact piston-sensed low-flow back pressure regulator for gas or liquid applications, making it a versatile regulator across a range of medias. With a low flow coefficient of 0.1, it offers highly accurate back pressure control.

The BP-LF540 is available in an air-actuated design, making it perfect for semi or fully automated systems.

### SPECIFICATION

Max. Rating	414 bar (6,000 psi)
Max. Inlet Control	Up to 414 bar (6,000 psi)
Design Proof Pressure	150% max. working pressure
Seat Leakage	In accordance with ANSI/FCI 70-3
Weight	2.1kg (4.6lbs)

### STANDARD MATERIALS OF CONSTRUCTION

PART	MATERIALS
Body and Bonnet	ASTM A479 316/316L Stainless Steel (UNS S31600/S31603)
Main Valve Pin	ASTM A479 316/316L Stainless Steel
Soft Seat	PEEK™ (450G)
Valve Spring	Elgiloy® (UNS R30003)
Handwheel	Nylon
Piston	ASTM A479 316/316L Stainless Steel
O-Rings	NBR N70 (Nitrile Buna N)
	FKM/FPM (Viton)
Loading Spring	Silicon Chrome Wire

*Note:* Pressure regulator rating may be limited by connection type, Cv and/or seat material. Contact the office for specific pressure or temperature requirements.

### FEATURES AND BENEFITS

<b>1</b> PISTON SENSING ELEMENT	<b>2</b> SUITABLE FOR GAS OR LIQUID APPLICATIONS	<b>3</b> LOW FLOW COEFFICIENT	<b>4</b> OPTIONAL AIR-ACTUATED DESIGN
Perfect for use in challenging conditions.	Versatile use across a range of media types.	CV 0.1 for accurate control of process media.	For fine remote adjustment.

Product availability and specifications contained herein are subject to change without notice. Consult local distributor or factory for potential revisions and/or service related issues. Pressure Tech Ltd support with product selection recommendations only - it is the users responsibility to ensure the product is suitable for their specific application requirements.



**PRESSURE TECH LTD**  
 Unit 24, Graphite Way, Hadfield, Glossop, Derbyshire, UK, SK13 1QH  
 +44 (0)1457 899 307 | [sales@pressure-tech.com](mailto:sales@pressure-tech.com) | [www.pressure-tech.com](http://www.pressure-tech.com)  
**DESIGNED, MANUFACTURED AND BUILT IN THE UK**  
 © 2025 Pressure Tech Ltd. All Rights Reserved.

200325

PAGE:  
1 OF 4

# BP-LF540 Datasheet

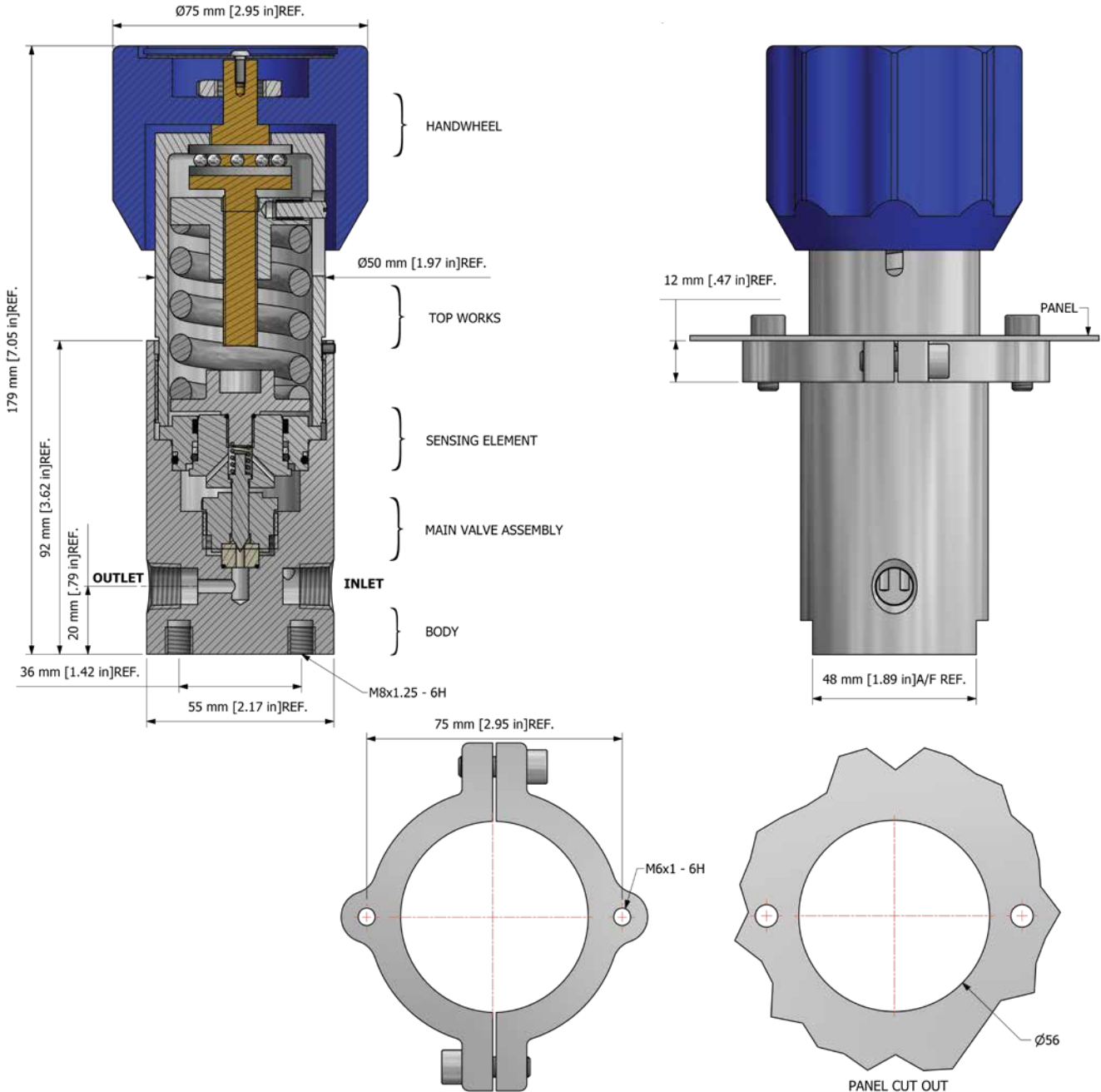
LOW-FLOW BACK PRESSURE REGULATOR



● Gas ● Liquid | ● Diaphragm ● Piston | Max Rating: 414 bar (6,000 psi) | Max Inlet Control: 414 bar (6,000 psi) | Cv 0.1

## DRAWINGS AND INSTALLATION DIMENSIONS

Dimensions shown for standard configurations only - please contact the office for other options.



PT-C-061-005-RING (STAINLESS STEEL)  
 PT-C-061-005-001-RING (ALUMINIUM)  
 PANEL MOUNT RING

**Note:**  
 All gauge ports are 1/4" NPT as standard.

Product availability and specifications contained herein are subject to change without notice. Consult local distributor or factory for potential revisions and/or service related issues. Pressure Tech Ltd support with product selection recommendations only - it is the users responsibility to ensure the product is suitable for their specific application requirements.



**PRESSURE TECH LTD**  
 Unit 24, Graphite Way, Hadfield, Glossop, Derbyshire, UK, SK13 1QH  
 +44 (0)1457 899 307 | [sales@pressure-tech.com](mailto:sales@pressure-tech.com) | [www.pressure-tech.com](http://www.pressure-tech.com)  
**DESIGNED, MANUFACTURED AND BUILT IN THE UK**  
 © 2025 Pressure Tech Ltd. All Rights Reserved.

200325

PAGE:  
 2 OF 4

# BP-LF540 Datasheet

LOW-FLOW BACK PRESSURE REGULATOR

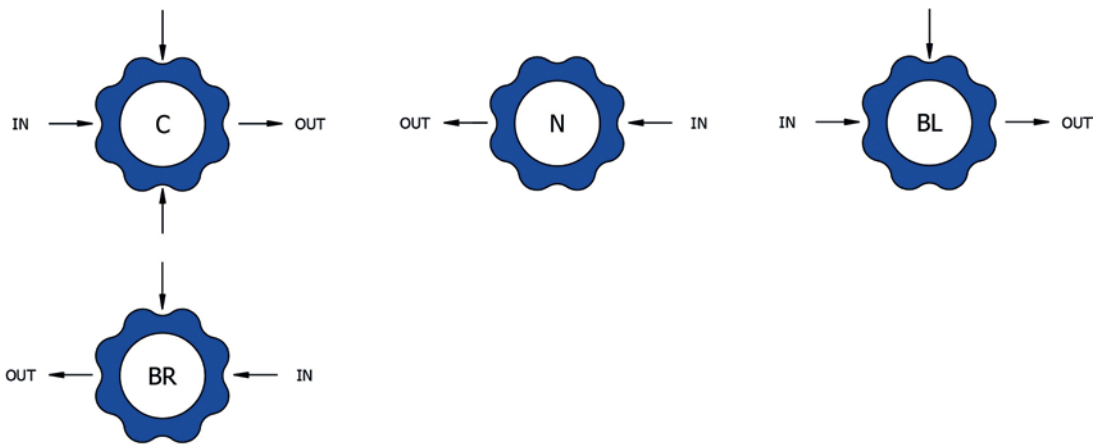


● Gas ● Liquid | ● Diaphragm ● Piston | Max Rating: 414 bar (6,000 psi) | Max Inlet Control: 414 bar (6,000 psi) | Cv 0.1

## FLOW CURVE

Please contact the office for further information.

## PORTING CONFIGURATIONS



**Note:**

Additional porting configurations are available - please contact the office for further information.

Product availability and specifications contained herein are subject to change without notice. Consult local distributor or factory for potential revisions and/or service related issues. Pressure Tech Ltd support with product selection recommendations only - it is the users responsibility to ensure the product is suitable for their specific application requirements.



**PRESSURE TECH LTD**

Unit 24, Graphite Way, Hadfield, Glossop, Derbyshire, UK, SK13 1QH  
+44 (0)1457 899 307 | [sales@pressure-tech.com](mailto:sales@pressure-tech.com) | [www.pressure-tech.com](http://www.pressure-tech.com)

**DESIGNED, MANUFACTURED AND BUILT IN THE UK**

© 2025 Pressure Tech Ltd. All Rights Reserved.

# BP-LF540 Datasheet

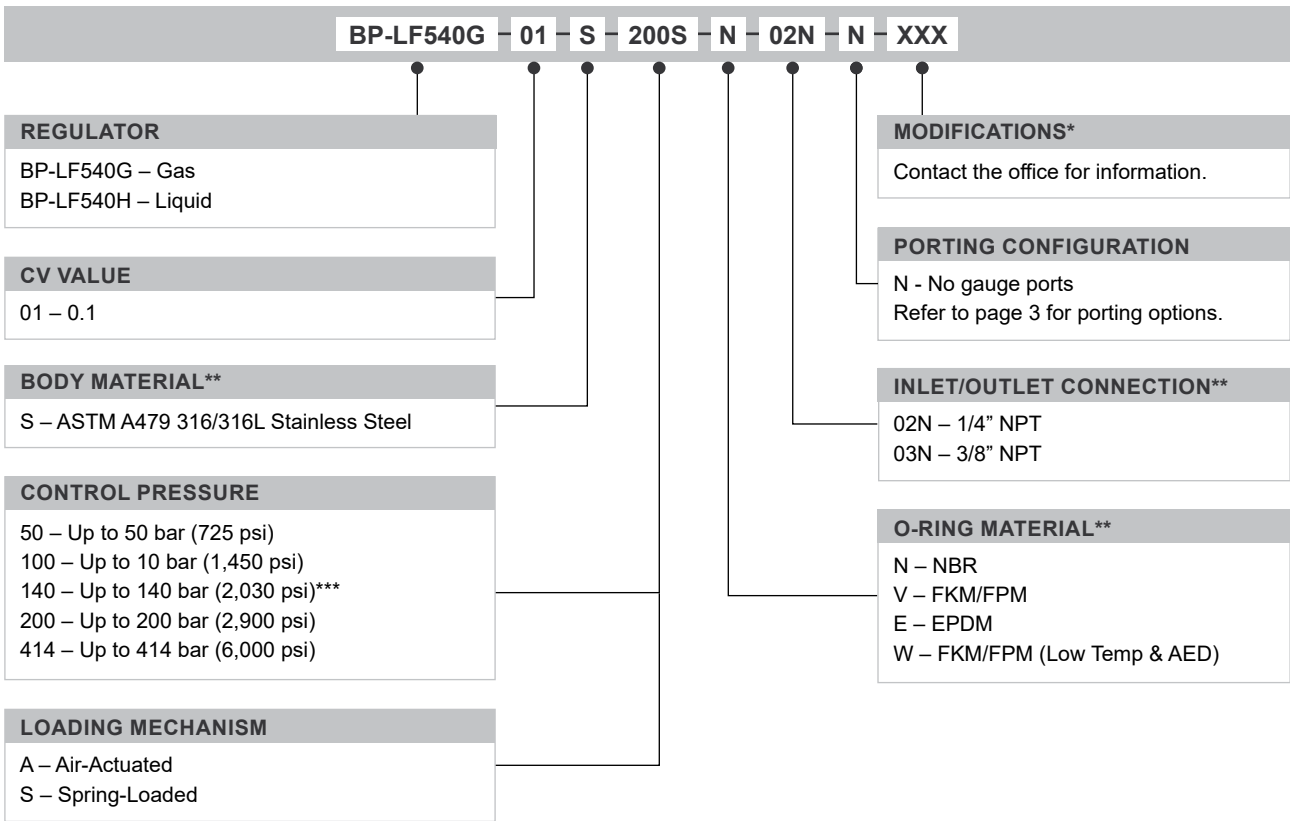
LOW-FLOW BACK PRESSURE REGULATOR



Gas  
  Liquid  
  Diaphragm  
  Piston  
 Max Rating: 414 bar (6,000 psi)  
 Max Inlet Control: 414 bar (6,000 psi)  
 Cv 0.1

## ORDERING INFORMATION

To build a Pressure Tech part number, simply combine the characters identified below in sequence:



OPTIONAL EXTRAS		
	PART NUMBER	DESCRIPTION
Service Kit	SRK-BP-LF540...	Various options available
Panel Mounting Ring	PT-C-061-005-RING	Stainless Steel panel mount ring
Panel Mounting Ring	PT-C-061-005-001-RING	Aluminium panel mount ring

*Note:* Ancillary equipment also available

**TRADEMARK:** PEEK™ is a trademark of Victrex PLC  
Elgiloy® is a registered trademark of Elgiloy Specialty Metals

\* Where applicable  
\*\* Other connections/materials may be available  
\*\*\* Air-loaded only  
\*\*\*\* Increased supply pressure

Product availability and specifications contained herein are subject to change without notice. Consult local distributor or factory for potential revisions and/or service related issues.  
Pressure Tech Ltd support with product selection recommendations only - it is the users responsibility to ensure the product is suitable for their specific application requirements.



**PRESSURE TECH LTD**  
Unit 24, Graphite Way, Hadfield, Glossop, Derbyshire, UK, SK13 1QH  
+44 (0)1457 899 307 | [sales@pressure-tech.com](mailto:sales@pressure-tech.com) | [www.pressure-tech.com](http://www.pressure-tech.com)  
**DESIGNED, MANUFACTURED AND BUILT IN THE UK**  
© 2025 Pressure Tech Ltd. All Rights Reserved.